

## Technical specifications

**Power supply** 208-277V

**Maximum continuous exposure temperature (power on)** 65°C

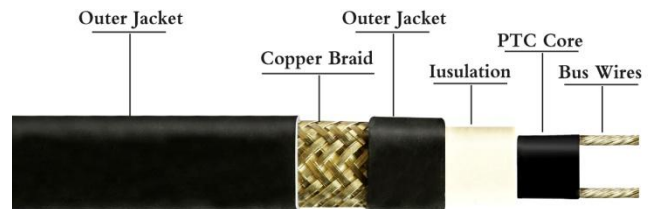
**Maximum intermittent exposure temperature, 1000 hours (power on or off)** 85°C

**Minimum installation temperature** -40°C

**Protective braid resistance** < 18.2Ω/km

**Bus wire gauge** 16AWG

**Approvals** UL / IECEx / ATEX / EAC / CE



## Options

**HGLe...C** Tinned copper braid provide additional mechanical protection and a positive ground path

**HGLe...CR** Flame retardant thermoplastic outer jacket protect against certain inorganic chemical solutions. It also protect against abrasion and impact damage.

**HGLe...CT** High Temperature Fluoropolymer outer jacket are used for exposure to organic or corrosive solutions or vapor may be present.

## Description

HGLe is a parallel self-limiting heating cable used for freeze protection and temperature maintenance of pipes, valves, flanges and tanks. Self-limiting heating cables increase or decrease the heat output depending on the change of ambient temperature. Because of this a thermostat is not always necessary, the heating cable will never over heat. Heating Group International can provide all the calculations and engineering, the heating cables, accessories as termination kits and all the control equipment.

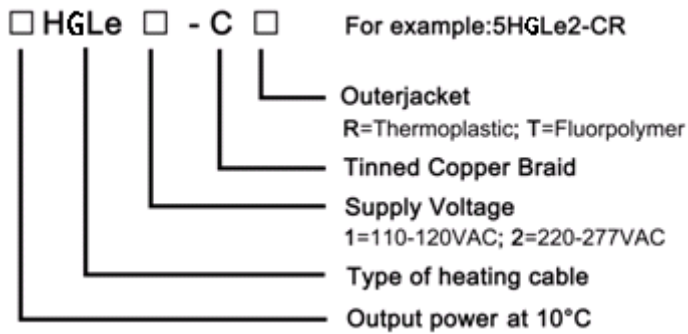
## Features

- Energy efficient, automatically varies its power output in response to pipe temperature changes.
- Easy to install, can be cut to any length (up to max circuit length).
- Lower installation costs than steam tracing. Less maintenance costs and downtime.
- No overheat or burnout even when overlapped.
- Suitable for use in hazardous, non hazardous and corrosive environments.

## Weight and dimensions

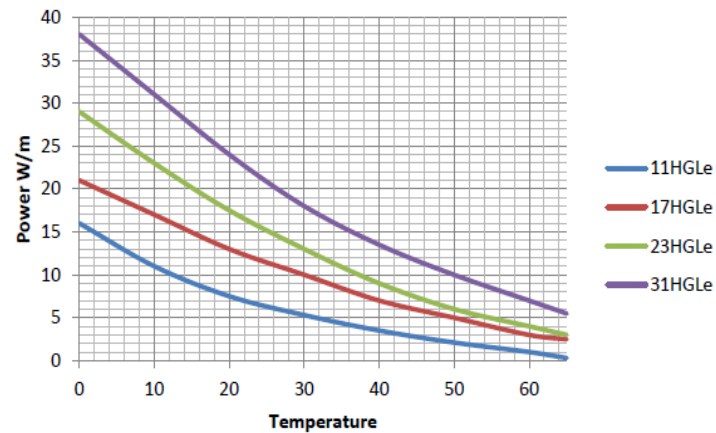
Type	Dimension	Min. Bending radius	Weight (kg/100m)
HGLe...C	9,3x4,4mm	26mm	8,2
HGLe...CR	10,9x6,0mm	36mm	11,0
HGLe...CT	10,3x5,4mm	32mm	10,5

## Product ordering information



## Power output curves

Nominal power output at 230V when HGLe installed on insulated metal pipes.



## Maximum length (m) vs circuit breaker size

Minimum start-up temperature	CB size Amps	11HGLe 230V m	17HGLe 230V m	23HGLe 230V m	31HGLe 230V m
10°C	10	125	97	69	39
	16	200	155	110	62
	25	200	160	125	100
0°C	10	118	89	63	34
	16	190	130	100	55
	25	200	160	125	94
-20°C	10	91	63	45	26
	16	145	100	72	42
	25	200	160	115	68
-40°C	10	56	41	30	22
	16	90	65	48	36
	25	152	110	80	60

www.heatinggroup.eu

hgi@heatinggroup.eu

+3124-3434222